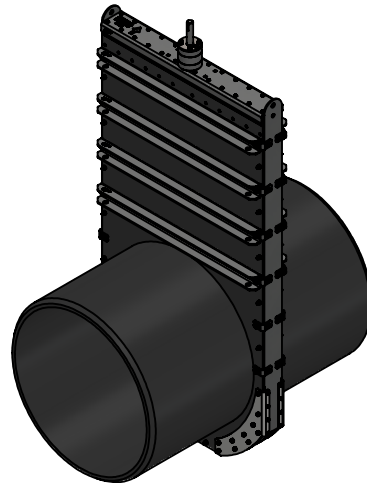
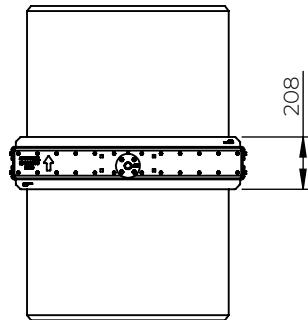


A-A



Approval Signature: _____

Date: _____

√	Article No.	Knife gate material	Spindle material	Reinforcement material
	V70076800	EN1.4404 / AISI 316	EN1.4404 / AISI 316	EN1.4404 / AISI 316
	V70078800	EN1.4462 / AISI 2205	EN1.4462 / AISI 2205	EN1.4404 / AISI 316
	V70079800	EN1.4462 / AISI 2205	EN1.4462 / AISI 2205	EN1.4462 / AISI 2205

Designed By PW	Approved By	Created Date 2022-08-31	Units [mm]	General Tolerance ISO 2768-1 m	Scale 1:30	
Material See table		Comment PE100 SDR26			Updated 2023-01-05	
Weight [kg] 296		Box Volume [m³]		Description SVM-TG Ø800		
 www.wapro.com						
				Rev A	Sheet 1 (1)	

© 2021 Wapro AB. This document is subject to copyrights owned by Wapro AB. Any amendments, republication, retransmission, and/or reproduction of all or any part of the document is expressly prohibited, unless the copyright owner of the material has expressly granted its prior written consent. All other rights are reserved.