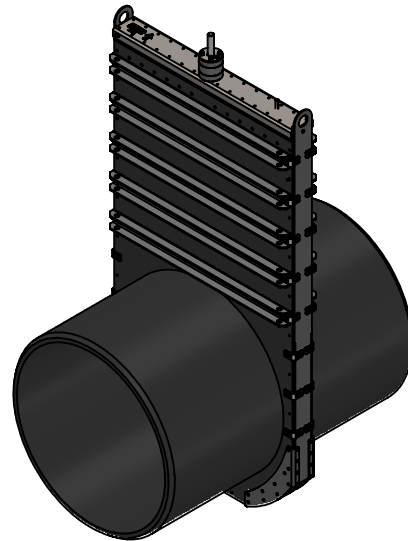
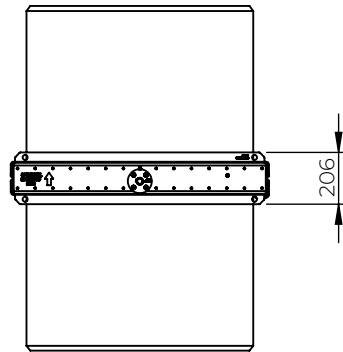


A-A



© 2022 Wapro AB. This document is subject to copyrights owned by Wapro AB. Any amendments, republication, retransmission, and/or reproduction of all or any part of the document is expressly prohibited, unless the copyright owner of the material has expressly granted its prior written consent. All other rights are reserved.

√	Article No.	Knife gate material	Spindle material	Reinforcement material		
	V70076900	EN1.4404 / AISI 316	EN1.4404 / AISI 316	EN1.4404 / AISI 316		
	V70078900	EN1.4462 / AISI 2205	EN1.4462 / AISI 2205	EN1.4404 / AISI 316		
	V70079900	EN1.4462 / AISI 2205	EN1.4462 / AISI 2205	EN1.4462 / AISI 2205		
Designed By	Approved By	Created Date	Units	General Tolerance	Scale	
PW		2023-01-04	[mm]	ISO 2768-1 m	1:30	
Material	Comment			Updated		
See table	PE100 SDR26			2023-01-05		
Weight [kg]	Description					
394	SVM-TG Ø900					
 www.wapro.com					Stop Valve	
					Article Number	Drawing Number
See table		svm-tg-900_en		A	1 (1)	